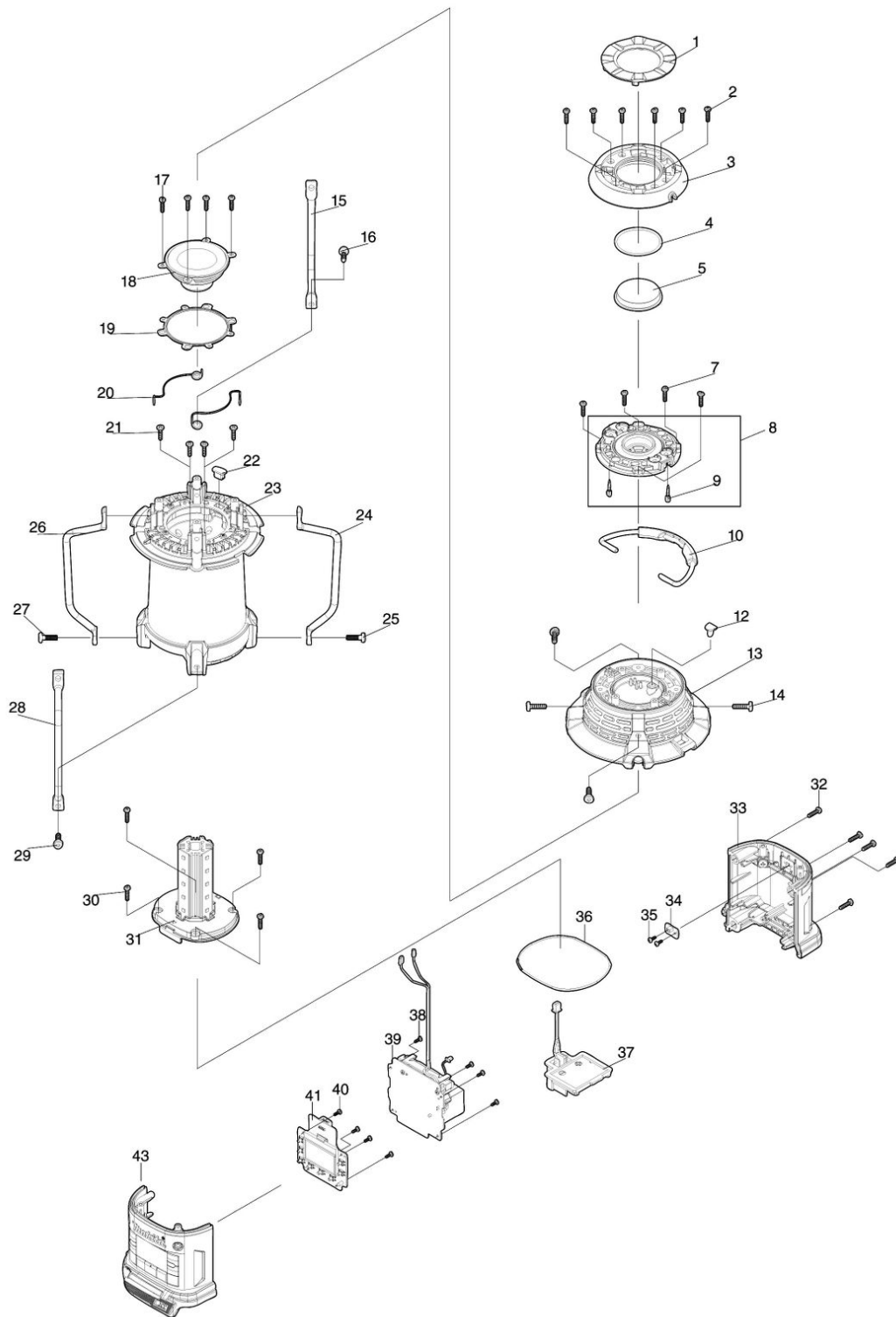


Model No.DMR055 CORDLESS RADIO WITH LANTERN



Nr.	Part nr.	Name
001	SE00001125	Voorpaneel DMR055/56
002	SE00001127	Tapschr 3x12mm DMR055
003	SE00001128	Afdekkap DMR055/56
004	SE00001129	O-ring 37,8mm DMR055/56
005	SE00001183	Afdekkap DMR055
007	SE00001127	Tapschr 3x12mm DMR055
008	SE00001185	Ledhouder DMR055/56
009	SE00001136	Rubbermat A DMR055/56
010	SE00001137	Handgreep DMR055/56
012	SE00001186	Afdekkap C DMR055/56
013	SE00001139	Bovenhuis DMR055/56
014	SE00001140	Inbussch M4x16mm DMR055/56
015	SE00001141	Valbeugel DMR055/56
016	SE00001142	Inbussch M4x13mm DMR055/56 P
016-1	SE00001216	Moerbout M4x13mm DMR055
017	SE00001127	Tapschr 3x12mm DMR055
018	SE00001144	Speaker DMR055/56
019	SE00001146	Pakking DMR055/56
020	SE00001147	Antennekabel DMR055/56
021	SE00001127	Tapschr 3x12mm DMR055
022	SE00001187	Afdekkap D DMR055/56
023	SE00001150	Lampkap DMR055/56
024	SE00001141	Valbeugel DMR055/56
025	SE00001142	Inbussch M4x13mm DMR055/56 P
025-1	SE00001216	Moerbout M4x13mm DMR055
026	SE00001141	Valbeugel DMR055/56
027	SE00001142	Inbussch M4x13mm DMR055/56 P
027-1	SE00001216	Moerbout M4x13mm DMR055
028	SE00001141	Valbeugel DMR055/56
029	SE00001142	Inbussch M4x13mm DMR055/56 P
029-1	SE00001216	Moerbout M4x13mm DMR055
030	SE00001127	Tapschr 3x12mm DMR055
031	SE00001188	Circuit D+E DMR055/56
032	SE00001127	Tapschr 3x12mm DMR055
033	SE00001189	Achterbodemplaat DMR055
034	SE00001191	Circuit K DMR055/56
035	SE00001160	Tapschroef 2x6mm DMR055/56
036	SE00001163	Bodemplaat DMR055/56
037	SE00001192	Terminal DMR055/56
038	SE00001160	Tapschroef 2x6mm DMR055/56
039	SE00001193	Circuit A DMR055/56
040	SE00001160	Tapschroef 2x6mm DMR055/56
041	SE00001195	Circuit C DMR055/56